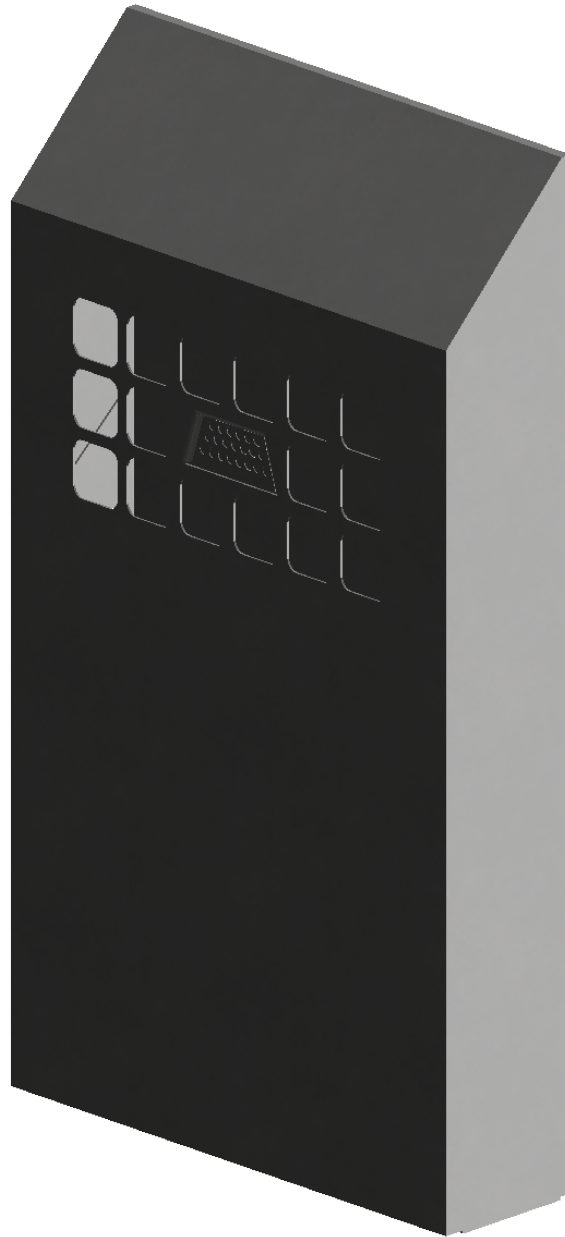
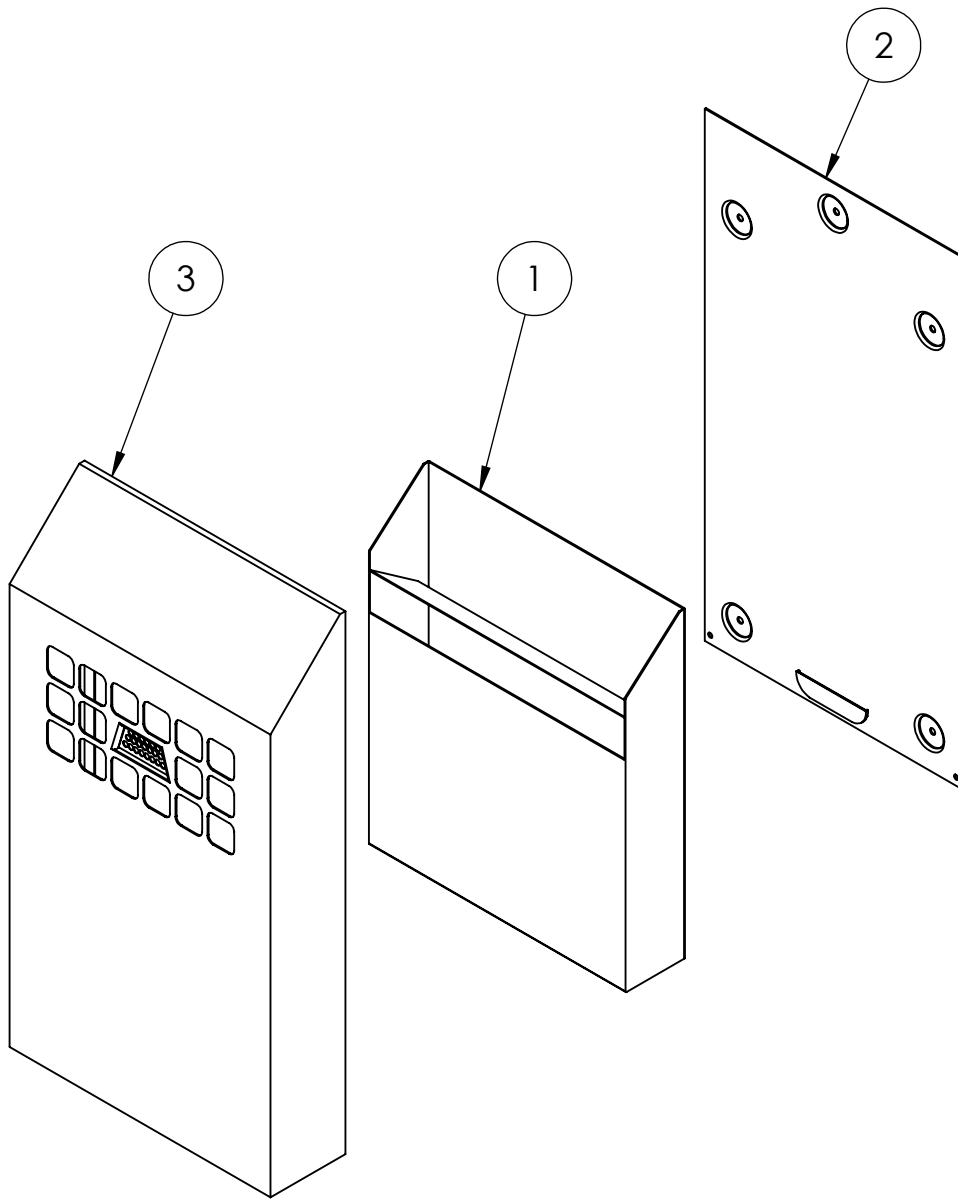


# Original No-Butts Bin Assembly Instructions



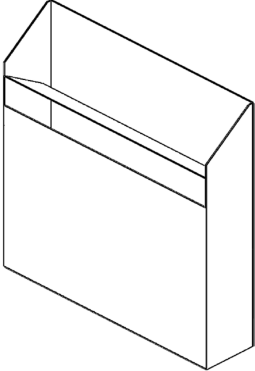
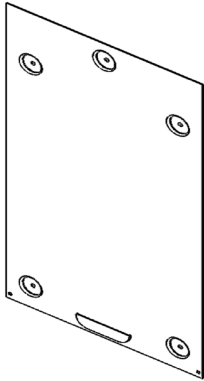
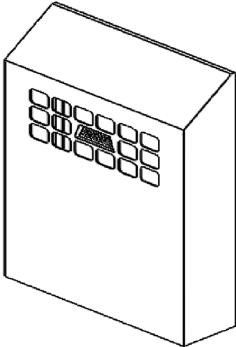


**Tools required: (Not supplied)**



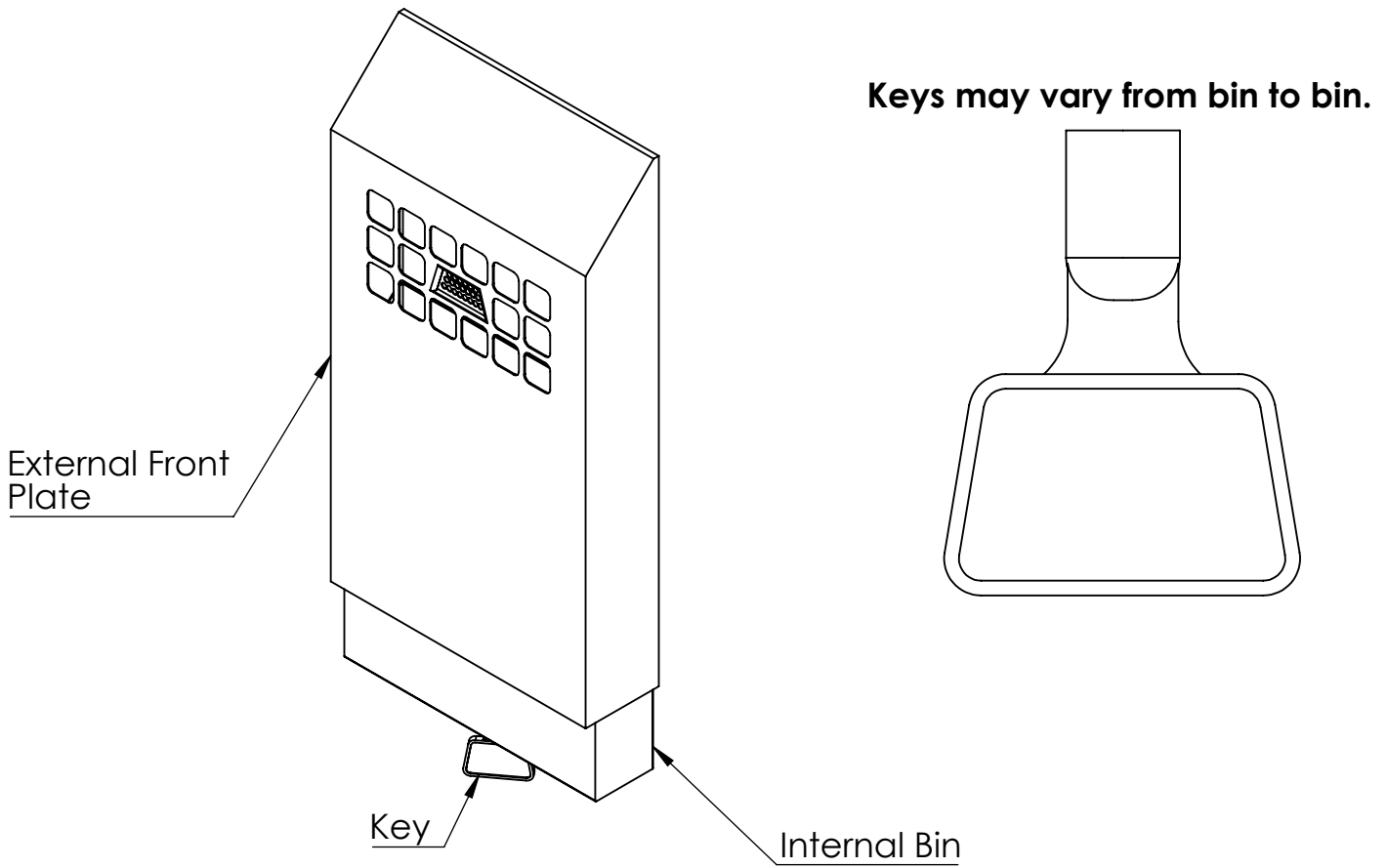
Drill/Screwdriver

# PARTS LIST & FITTINGS

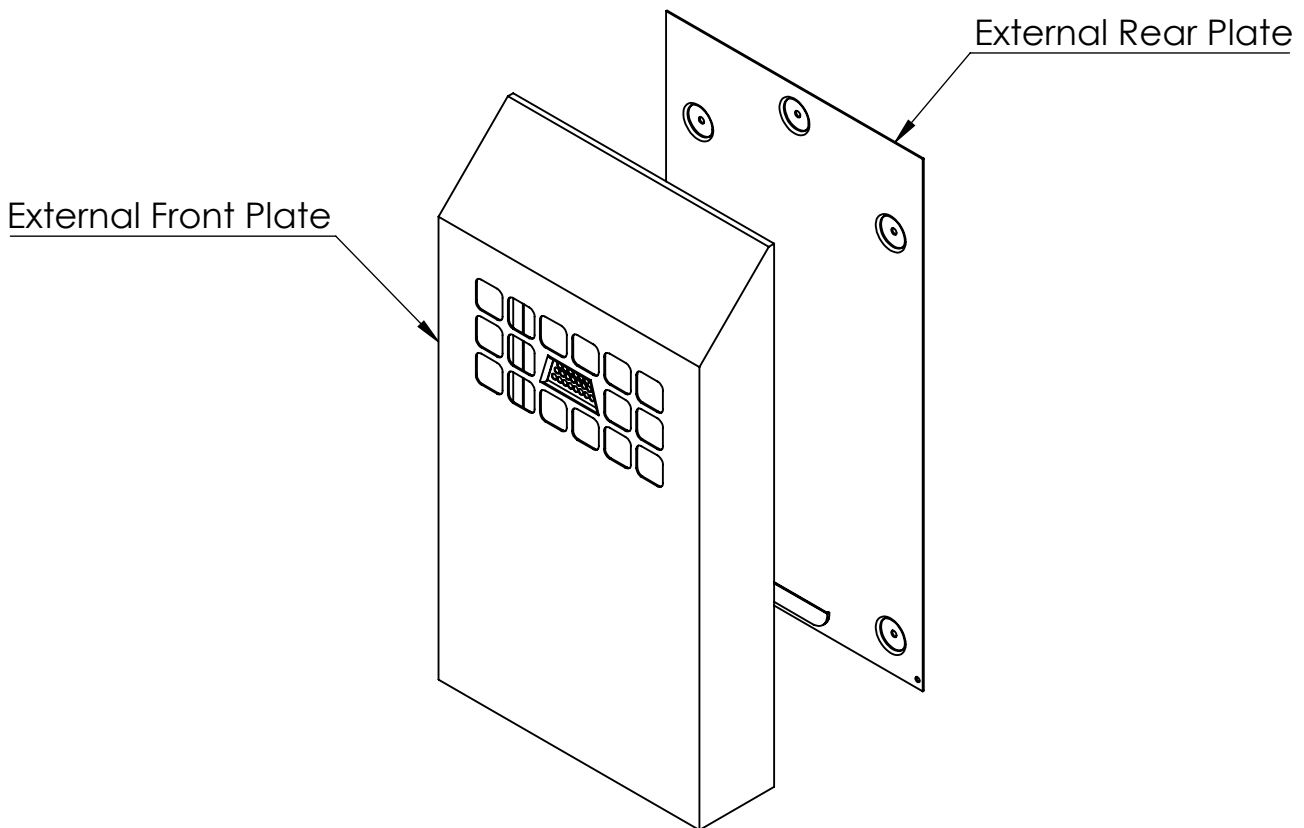
ITEM NO.	PART NAME	DRG NUMBER	QTY.
1	Internal Bin		1
2	External Rear Plate		1
3	External Front Plate		1

Fittings	Wall Plugs	M5x50 Screw	Key
Quantity	4	4	1

**Step 1** Remove **Internal Bin** using the **Key** supplied.

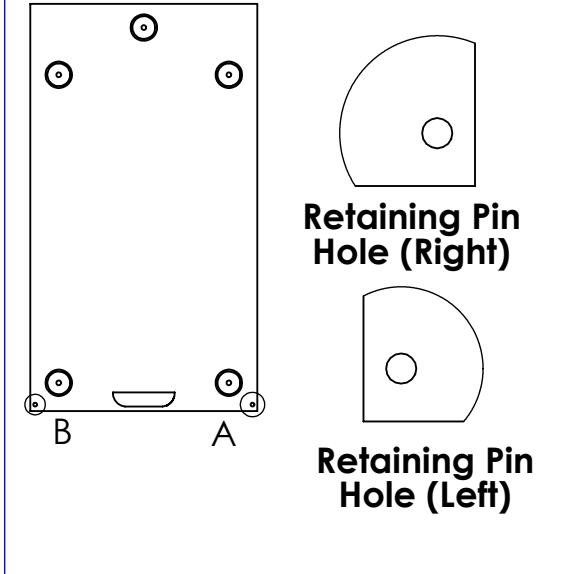


**Step 2** Separate the **External front & Rear Plates**.

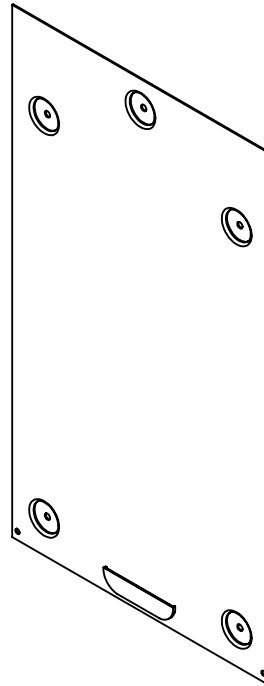


**Step 3** Using the **External Rear Plate** mark the 4 fixing holes to be drilled on the wall with the top being approx 1300mm off the ground. Using **Wall Plugs** and **M5x50 Screws** to fix the plate to the wall.

Note: Check there is sufficient room for retaining pins if not drill small clearance holes.

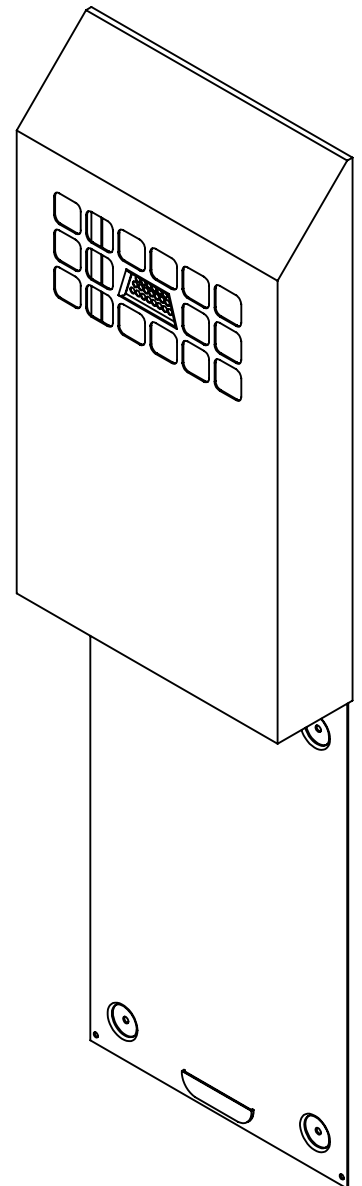
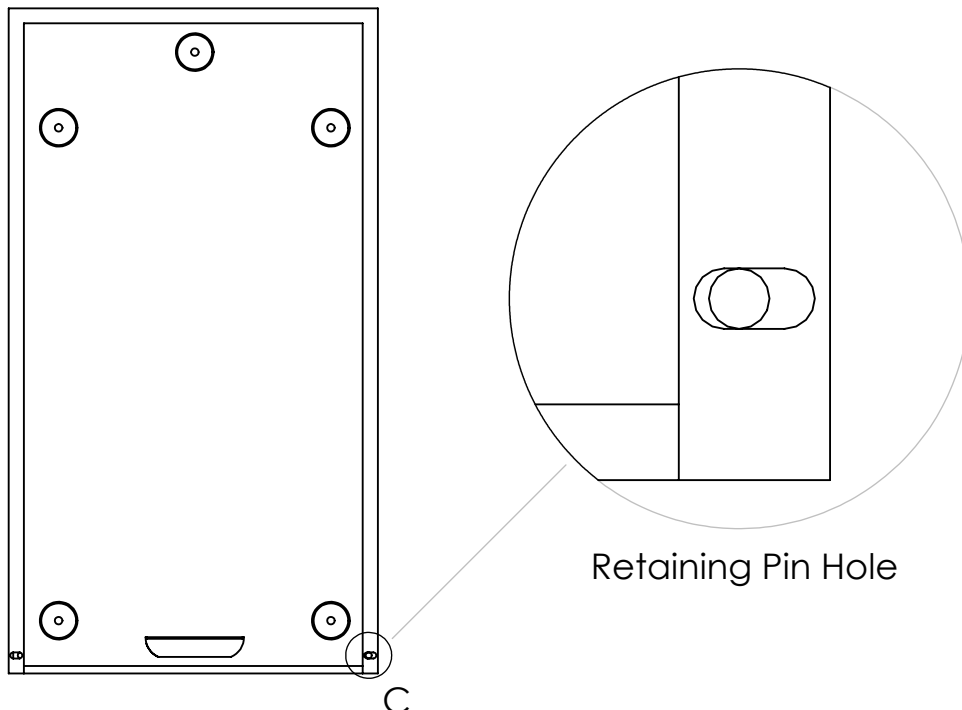


Note: Dimples face the wall to space the plate from wall.

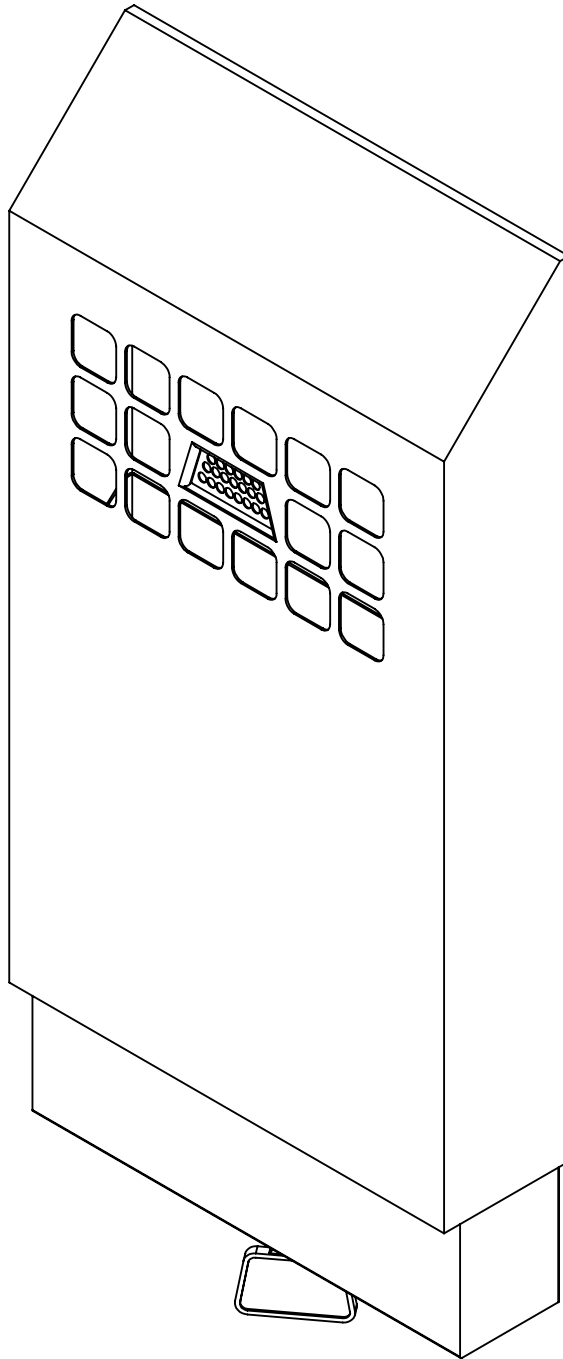


**Step 4** Slide **External Front Plate** over the now mounted rear plate, use the small screws supplied and the **Retaining Pin Holes** to attach front to rear.

Rear View of Bin



**Step 5** Re-insert the **Internal Bin** using the **Key** to lock it in place.



**We recommend the bin be emptied and front face cleaned daily as its more effective when clean.**

Notes:

# THANK YOU FOR PURCHASING THIS PRODUCT

## MAINTENANCE:

To ensure your products give you many years of use we recommend that you:

- Clean front face daily with soapy water
- Ensure all fittings are tight

<b>All Parts and Fixings checked by:</b>	
Print Name:	Signature: